

Thrust Ball Bearings

Bearing No. : **NACHI 53244U**

■ Bearing Type

■ Clearance

■ Tolerance Class

Dimensions

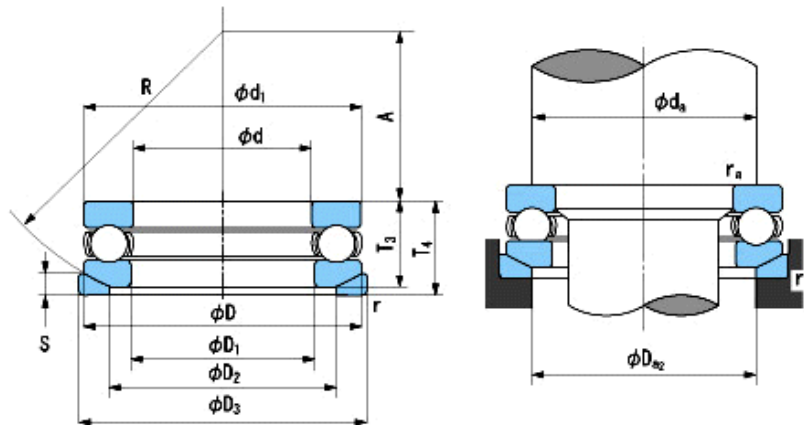
d = 220
0
-0.030

D = 300
0
-0.035

T3 = 65.6
T4 = 75
r = 2~4
(Radial Direction and Axial Direction)

d1(max) = 297
D1(min) = 224

D2 = 260
D3 = 310
S = 25
R = 225
A = 118



Dimensions
da(min) = 268
Da2(max) = 260
ra(max) = 2
Mass = 16.2 kg

Basic Dynamic Load Rating Ca : **325,000** N

Basic Static Load Rating Coa : **1,210,000** N

Limiting Speed ;

Grease Lubrication : **690** min⁻¹

Oil Lubrication : **1,000** min⁻¹

	INNER RING	OUTER RING
O.D.Surface Runout with Side :		-
Axial Runout with Bore :	-	
Axial Runout with Raceway :	-	
Width Variation :	-	
Radial Runout :	-	